



PARTS CATALOG

Model W-TH520P

(HT490WV)

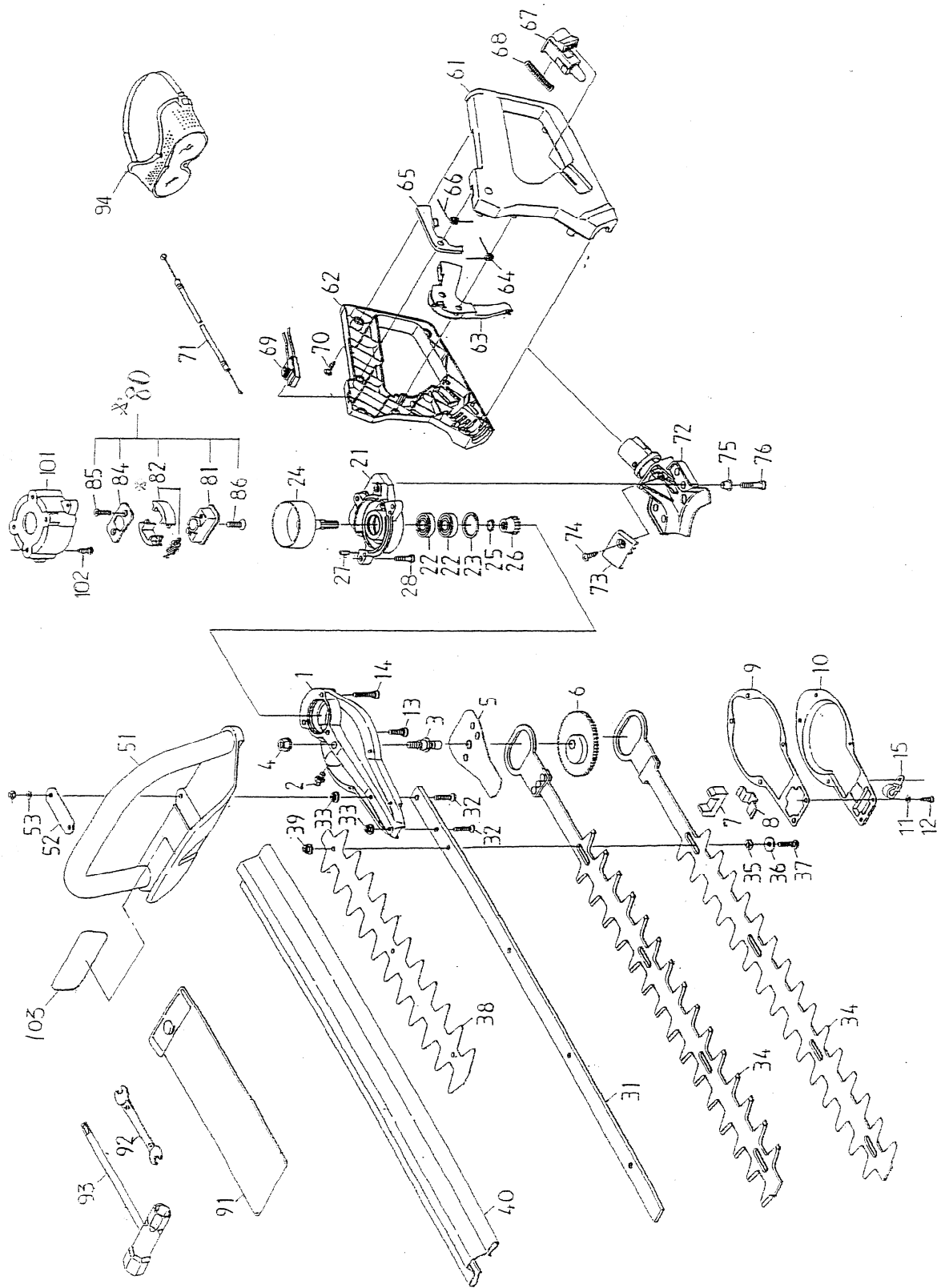
MACHINE BODY,

ENGINE BODY,

CARBURETOR & AIR CLEANER,

W-TH-520P (HT490WV) PARTS LIST

MACHINE BODY



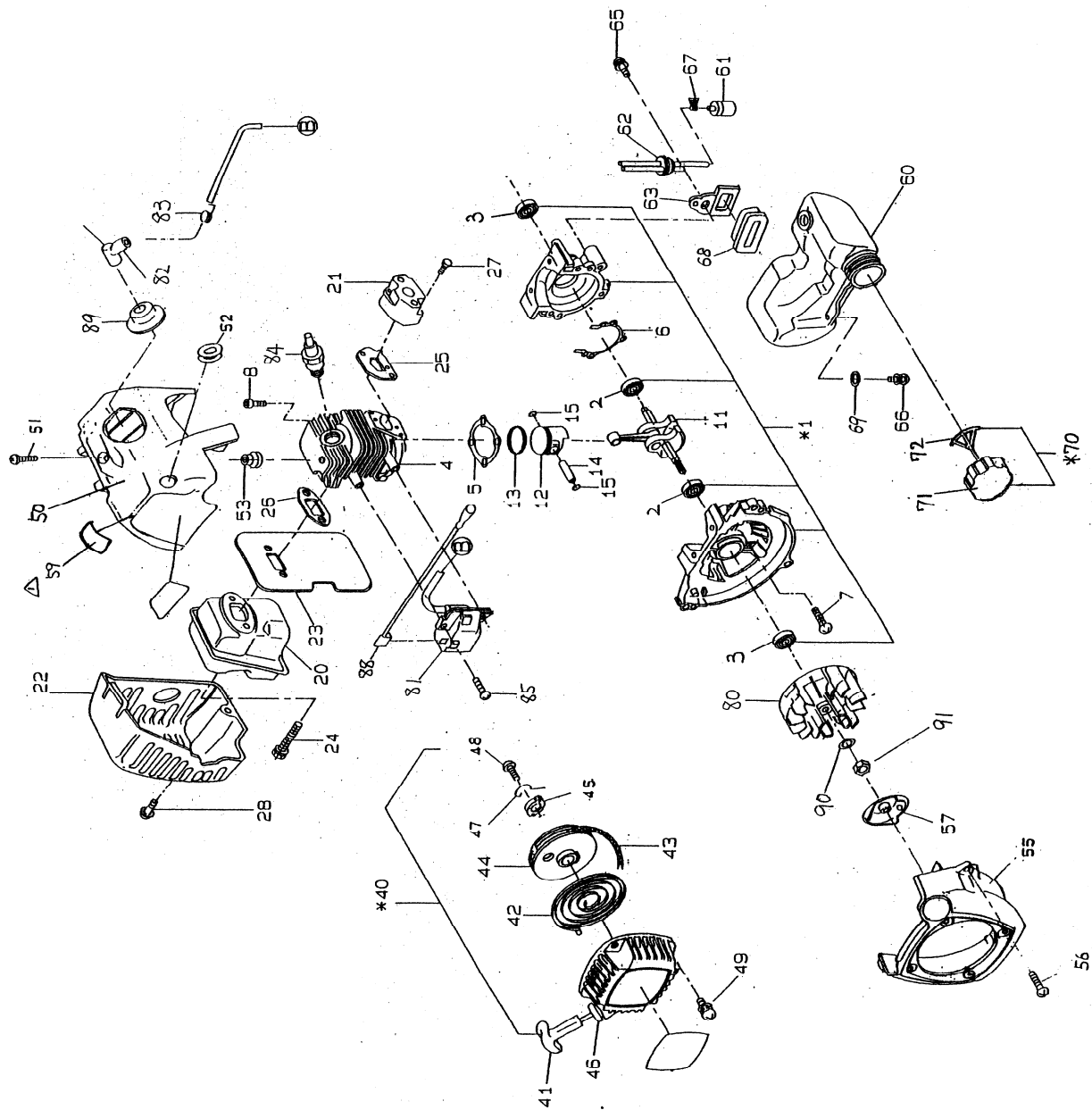
W-TH-520P (HT490WV) PARTS LIST

MACHINE BODY

KEY NO.	PART NO.	Q'TY	DESCRIPTION	REMARKS
1	303510100	1	CASE	
2	029060400	1	GREASE NIPPLE	
3	303510700	1	CRANK SHAFT	
4	030081400	1	FLANGE NUT	M8
5	303511100	1	CRANK PLATE	
6	303510800	1	CRANK GEAR	
7	303510400	1	GASKET	
8	303511200	1	GREASE PLATE	
9	303513000	1	GASKET	
10	303510200	1	CASE COVER	
11	032040000	6	SPRING WASHR	M4
12	065041200	6	TORX BOLT	M4X12
13	065051500	1	TORX SCREW	M5X15
14	065052500	2	TORX SCREW	M5X25
15	099861500	1	CLAMP	
21	370355100	1	FLANGE	
22	035600103	2	BALL BEARING	#6001 LL
23	045002800	1	SNAP RING	R-28
24	303555200	1	CLUTCH DRUM	
25	045001202	1	SNAP RING	S-12
26	303355300	1	GEAR	
27	048041200	2	PIN	
28	065052000	3	TORX SCREW	M5X20
31	303520100	1	GUIDE CUTTER	
32	068053500	2	BOLT	M5X35
33	030051400	2	NAT FLANGE	M5
34	303522000	2	BLADE CUTTER	
35	303520900	4	BLOCK GUIDE	
36	306020400	4	BLADE BOLT WASHER	
37	065052000	4	TORX SCREW	M5X20
38	303329000	1	PROTECTOR	
39	030051100	4	NUT	M5
40	303560100	1	COVER CUTTER BLADE	
51	303330100	1	FRONT HANDLE	
52	303331100	1	PLATE FRONTHANDLE	
53	032050000	2	SPRING WASHER	M5
54	030051600	2	NUT,NYLON	

W-TH-520P (HT490WV) PARTS LIST

ENGINE BODY



W-TH-520P (HT490WV) PARTS LIST

ENGINE BODY

KEY NO.	PART NO.	Q'TY	DESCRIPTION	REMARKS
*1	5191006000	1	CRANKCASE ASSY	Incl.2,3,6,7
2	0600109980	2	BALL BEARING	#6000
3	0440109980	2	OIL SEAL	φ 10 X φ 20 X 5
4	5191500601	1	CYLINDER	
5	5191500301	1	GASKET,CYLINDER	
6	5191500400	1	GASKET,CRANKCASE	
7	0140059520	3	SCREW	M5X25
8	0119059730	2	SOCKET HEAD BOLT	M5X20
11	5192003002	1	CRANKSHAFT COMPL	
12	5192500800-1	1	PISTON	
13	5192500600	1	RING,PISTON	
14	5192500500	1	PIN,PISTON	
15	0565089970	2	CLIP	
20	5193002002	1	MUFFLER,EXHAUST	
21	5213001000	1	INSULATER COMPL	
22	5193500201	1	COVER,MUFFLER	
23	5193500301	1	INSULATOR,MUFFLER	
24	0119059600	2	SOCKET HEAD BOLT	M5 X 45
25	5233503902	1	GASKET,INSULATER	
26	5193500302	1	GASKET,MUFFIER	
27	0140059400	2	SCREW ASSY	M5X20
28	0140059550	1	SCREW	M5X14
*40	5195003003	1	STARTOR,REWIND	Incl.41~48,57.
41	5225004020	1	STARTER KNOB	
42	5195002050	1	SPIRAL SPRING	
43	5255016020	1	ROPE	
44	5195002030	1	REEL	
45	5195002110	1	COLLAR	
46	5255001040	1	DAMPER	
47	5195002100	1	SWING ARM	
48	5195002060	1	SET SCREW	
49	0043704120	4	SCREW	
50	5195501900	1	COVER,CYLINDER	
51	0140059490	1	SCREW	M5X14
52	5257500300	1	GROMMET	
53	5503503001	1	SPACER,COVER	
55	5195500800	1	HOUSING,BLOWER	

W-TH-520P (HT490WV) PARTS LIST

CARBURETOR & AIR CLEANER

